

NEW DRAWER

COMFORT BOX PLUS



Guaranteed reliability for years



COMFORT BOX PLUS

Check the advantages of the new system

Well known, but new - introducing an improved version of the popular drawer system - Comfort Box Plus. They have all the advantages of the previous version - the maximally functional and ergonomic, and at the same time - even more developed technically and aesthetically.





Contents

Introduction

A drawer inside a drawer	4
Open faster and easier	5
In many using	6
Special functions	7
Even more convenient.....	8
Between the railings	9
Segregate effortlessly.....	10
Maximized usable space	11
The larder you need	12

Customize your own drawer

Information how to order	16
Internal organization	20
Installation templates.....	21
Installation information	22

A drawer inside a drawer

The Comfort Box Plus line includes drawers in both **front** and **internal** models, allowing the flexibility to design perfectly matched furniture.

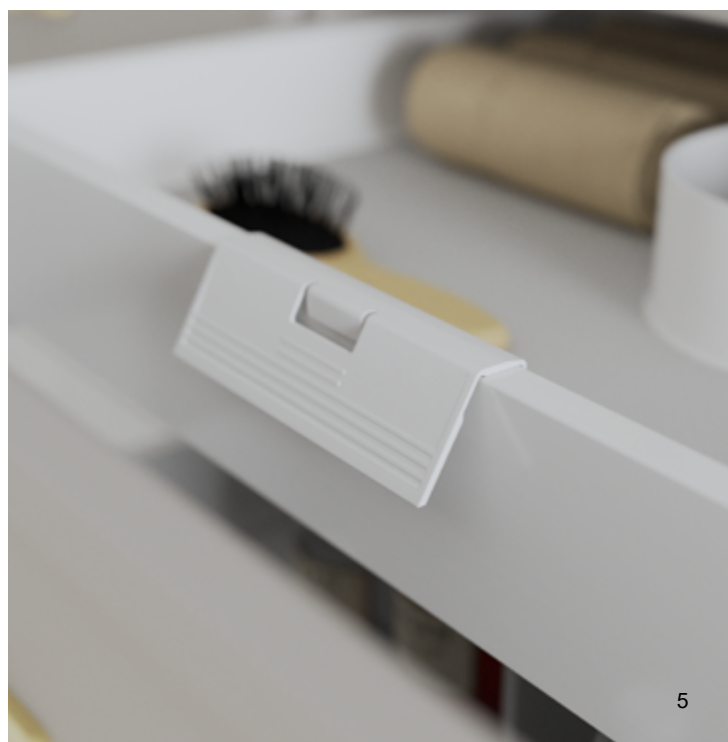
External or front drawers - those to which the front is attached - allow quick access to the items stored in them. Internal drawers, on the other hand, are more discreet. This is a suggestion for those who appreciate order and tidiness inside the furniture, but also in the visually - in the simplicity of construction.





Open faster and easier

The ever popular interior drawers within the line of Comfort Box Plus have been equipped with handy and practical **handles** that make them easy to open. Thanks to them, using of the cabinets, in which several drawers are hidden under one common front, is even more convenient.





In many using

Comfort Box Plus is a universal and versatile solution. It will work perfectly not only in the kitchen, but also in other spaces. So Comfort Box Plus front and internal drawers are suitable for the pantry, as well as the children's room, office, bedroom and even dressing room. In any of these interiors you will appreciate their packability, full extension, soft close.





SIPHON COVER



Special functions

Comfort Box Plus drawers are designed for the special requirements in the bathroom, toilets and restrooms. They allow you to organize easily large items such as towels, as well as smaller items such as detergents, and even very small and sensitive items such as cosmetics and washing accessories.

Especially practical is the **siphon cover**, with which you can fully used space just under the washbasin. Flexible, made of plastic covers can be adapted to both front and internal drawers.



SZUFLADY WEWNĘTRZNE



PLASTIC ORGANIZER



Even more convenient

In the Comfort Box Plus systems we have focused on solutions that increase the convenience of their use. So we offer functional **inserts and internal organization systems** that will make it easier to keep impeccable order.

Flexible **anti-slip mats** also could be useful, made of thick but flexible plastic will protect the bottom of the drawer, prevent stored items from sliding and will quiet the sound of putting things in. The possibility to cut the mat to any size it is easy to fit it to each drawer. The mats are available in colors to suit the drawers.



ANTI-SLIP MATS





Between the railings

The rails are very convenient system of Comfort Box Plus drawers organization. They allow to divide space of drawer and order the items stored in them.



Segregate effortlessly

What about waste segregation? We've thought of that as well. In the deep drawers of the Comfort Box Plus you can insert ready-made sets of containers for selective waste segregation, such as PRAKTIKO as well as single baskets.



WASTE BINS





Maximized usable space

There are places in the kitchen that are difficult to manage, such as the space under the oven. With Comfort Box Plus drawers, this is not a problem, we offer a **front drawer with a side height of 69 mm**, which will be perfect for this zone. **The drawer under the oven** provides a suitable place for storing unplaced pans, baking trays or even pans.



The larder you need

We know how difficult is to organize a packed, as well as functional and convenient larder. That's why we've made sure that Comfort Box Plus drawers make this task easier for you.

This product line includes models of different depths and heights, which facilitates ergonomic sorting of things with different specifications. Thanks to load capacity (35 kg) you can store even really heavy products in them. Strong slides will ensure slight, quiet movement and full extension, and as a result, comfort of use. Thanks to Comfort Box Plus the larder even in a small kitchen can be perfect.

COMFORT BOX PLUS



CARGO MAXI COMFORT BOX PLUS



CUSTOMIZE YOUR OWN DRAWER

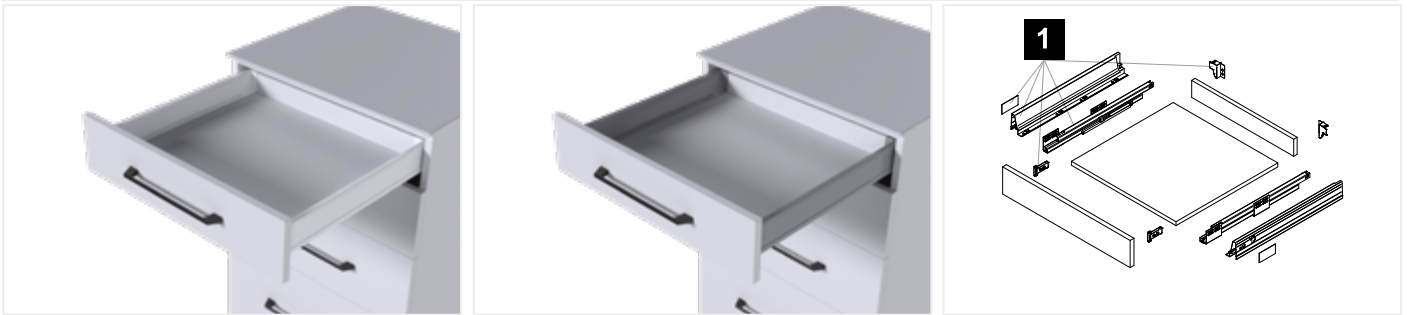
COMFORT **BOX** PLUS



INTERNAL DRAWERS

Information how to order Comfort Box Plus - front drawers

Comfort Box Plus H=69



Comfort Box Plus H=84



Comfort Box Plus H=135



Comfort Box Plus H=199



Comfort Box Plus H=84, 135, 199, with railings and raised back panel *



* quantities depend on individual needs

Characteristics



Runner system components

1 Comfort Box Plus

runner + sides + front fixing + cap left/right + back panel fixing left/right



NL	Comfort Box Plus H=69		NL	Comfort Box Plus H=84		NL	Comfort Box Plus H=135		NL	Comfort Box Plus H=199	
	index	colour		index	colour		index	colour		index	colour
450	TH03.1292.05	002, 003	250	TH03.1243.01	002, 003	250	TH03.1250.01	002, 003	250	TH03.1257.01	002, 003
500	TH03.1293.05	002, 003	300	TH03.1244.01	002, 003	300	TH03.1251.01	002, 003	300	TH03.1258.01	002, 003
			350	TH03.1245.01	002, 003	350	TH03.1252.01	002, 003	350	TH03.1259.01	002, 003
			400	TH03.1246.01	002, 003	400	TH03.1253.01	002, 003	400	TH03.1260.01	002, 003
			450	TH03.1247.01	002, 003	450	TH03.1254.01	002, 003	450	TH03.1261.01	002, 003
			500	TH03.1248.01	002, 003	500	TH03.1255.01	002, 003	500	TH03.1262.01	002, 003
			550	TH03.1249.01	002, 003	550	TH03.1256.01	002, 003	550	TH03.1263.01	002, 003

Additional components

2 Back panel fixing

left / right



wysokość	index	colour
84	TH03.1264.01	002, 003
135	TH03.1265.01	002, 003
199	TH03.1266.01	002, 003

4 Middle/upper rectangular rail

left + right



NL	index	colour
250	TH03.1272.05	002, 003
300	TH03.1273.05	002, 003
350	TH03.1274.05	002, 003
400	TH03.1275.05	002, 003
450	TH03.1276.05	002, 003
500	TH03.1277.05	002, 003
550	TH03.1278.05	002, 003
600	TH03.1279.05	002, 003

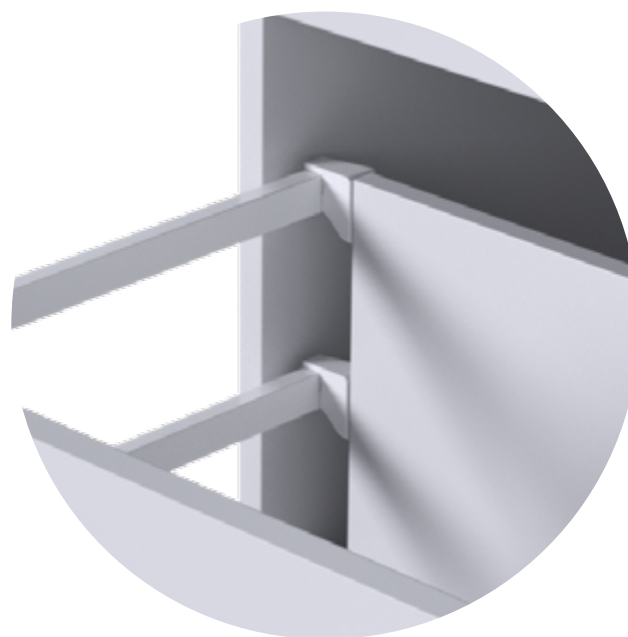
3 Back panel raising

left / right



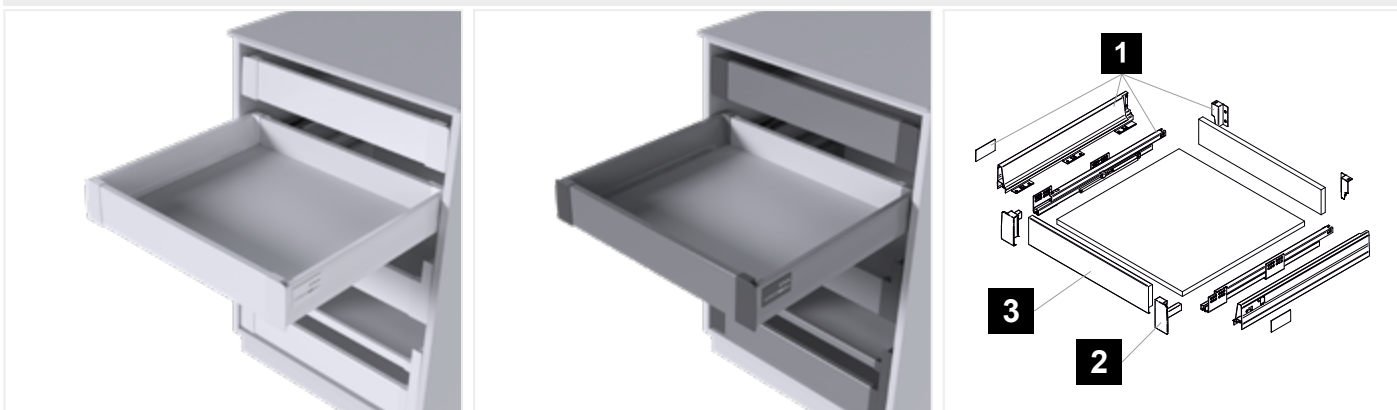
index	colour
TH03.1287.00	013, 049

i Raising the back panel together with the railing, allows you to build a drawer with a higher side. The height and number of rails depends on individual needs.

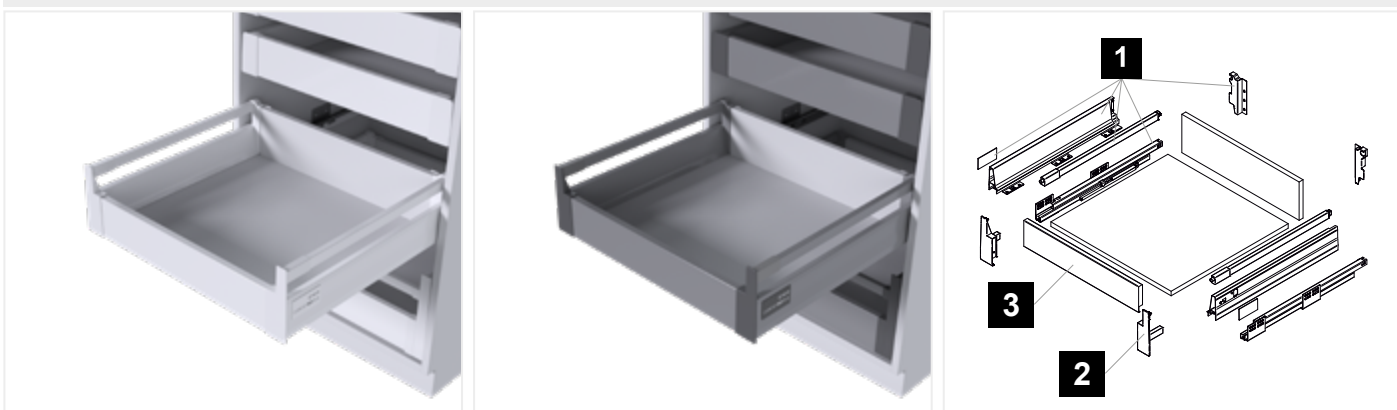


Information how to order Comfort Box Plus - internal drawers

Comfort Box Plus H=84



Comfort Box Plus H=135



Comfort Box Plus H=199



Characteristics



Runner system components

1 Comfort Box Plus

runner + sides + front fixing + cap left/right + back panel fixing left/right



Comfort Box Plus H=84			Comfort Box Plus H=135			Comfort Box Plus H=199		
NL	index	colour	NL	index	colour	NL	index	colour
250	TH03.1243.01	002, 003	250	TH03.1250.01	002, 003	250	TH03.1257.01	002, 003
300	TH03.1244.01	002, 003	300	TH03.1251.01	002, 003	300	TH03.1258.01	002, 003
350	TH03.1245.01	002, 003	350	TH03.1252.01	002, 003	350	TH03.1259.01	002, 003
400	TH03.1246.01	002, 003	400	TH03.1253.01	002, 003	400	TH03.1260.01	002, 003
450	TH03.1247.01	002, 003	450	TH03.1254.01	002, 003	450	TH03.1261.01	002, 003
500	TH03.1248.01	002, 003	500	TH03.1255.01	002, 003	500	TH03.1262.01	002, 003
550	TH03.1249.01	002, 003	550	TH03.1256.01	002, 003	550	TH03.1263.01	002, 003

2 Front fixing

left + right



wysokość	index	colour
84	TH03.1269.05	002, 003
135	TH03.1267.05	002, 003
199	TH03.1268.05	002, 003

3 Front

L=1100 mm, cutting template LW-97



index	colour
TH03.1270.05	002, 003

4 Rectangular rail

L=1100 mm, cutting template LW-74



index	colour
TH03.1271.05	002, 003

Additional components

5 Back panel fixing

left + right



hight	index	colour
84	TH03.1264.01	002, 003
135	TH03.1265.01	002, 003
199	TH03.1266.01	002, 003

6 Internal drawer holder

1 pcs.



index	colour
TH03.1294.05	013, 049





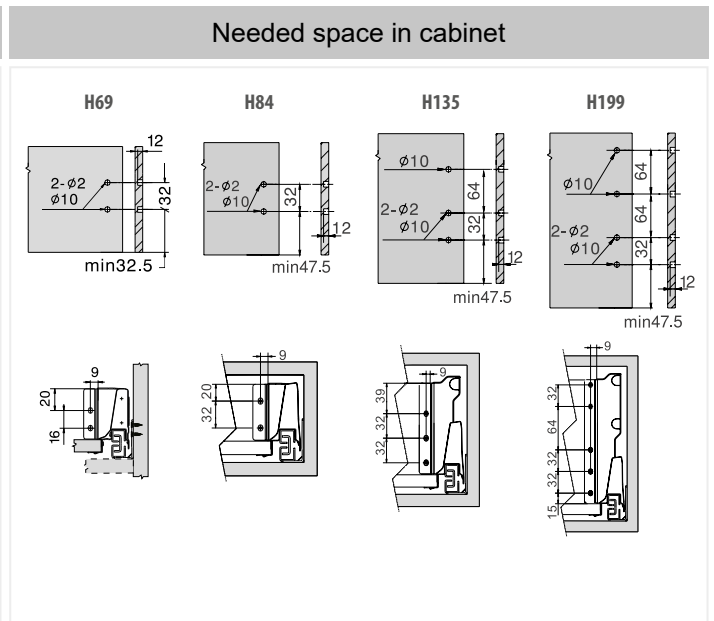
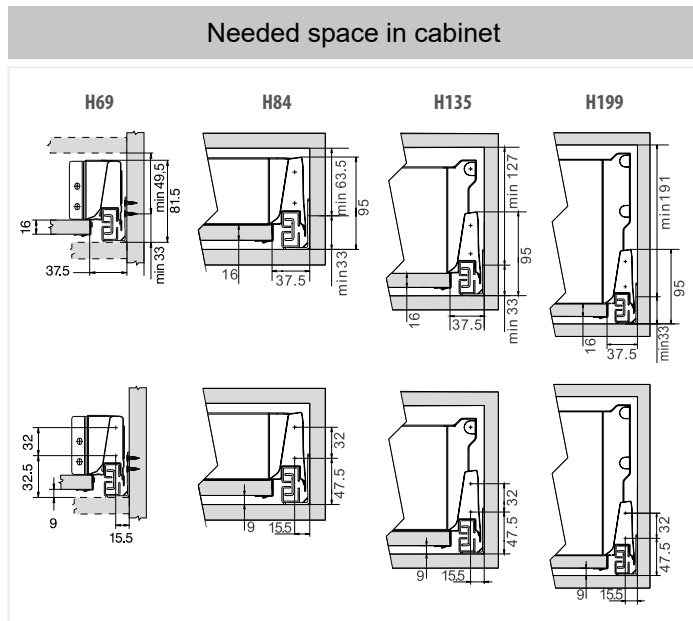
Set of installation templates



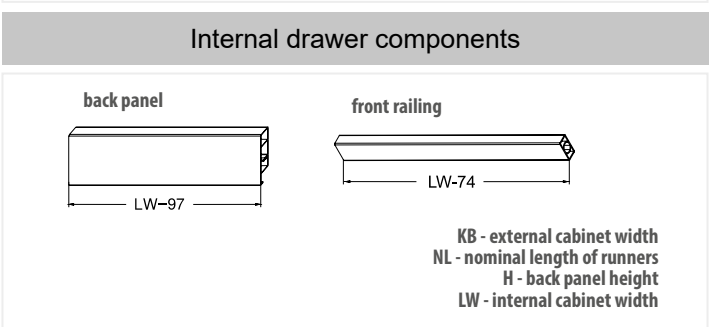
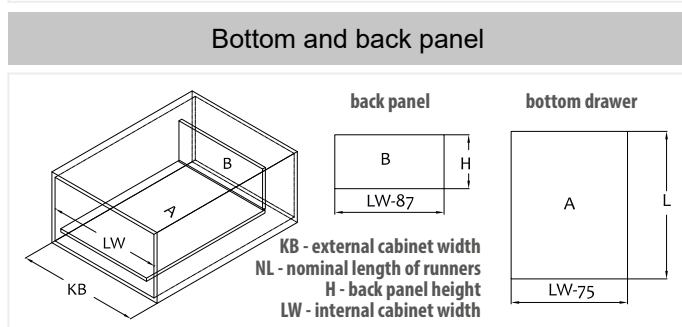
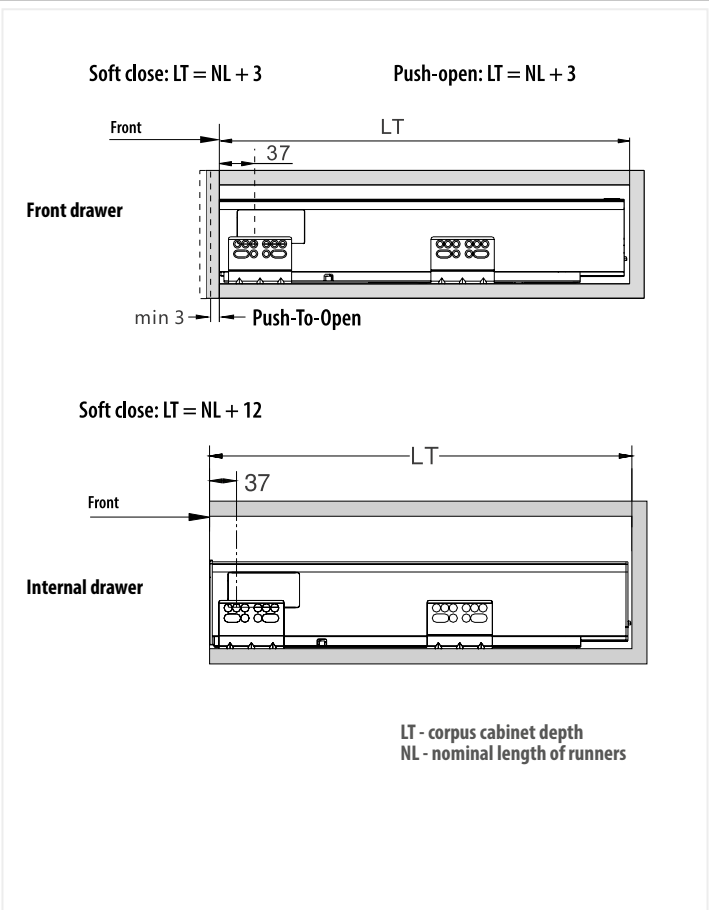
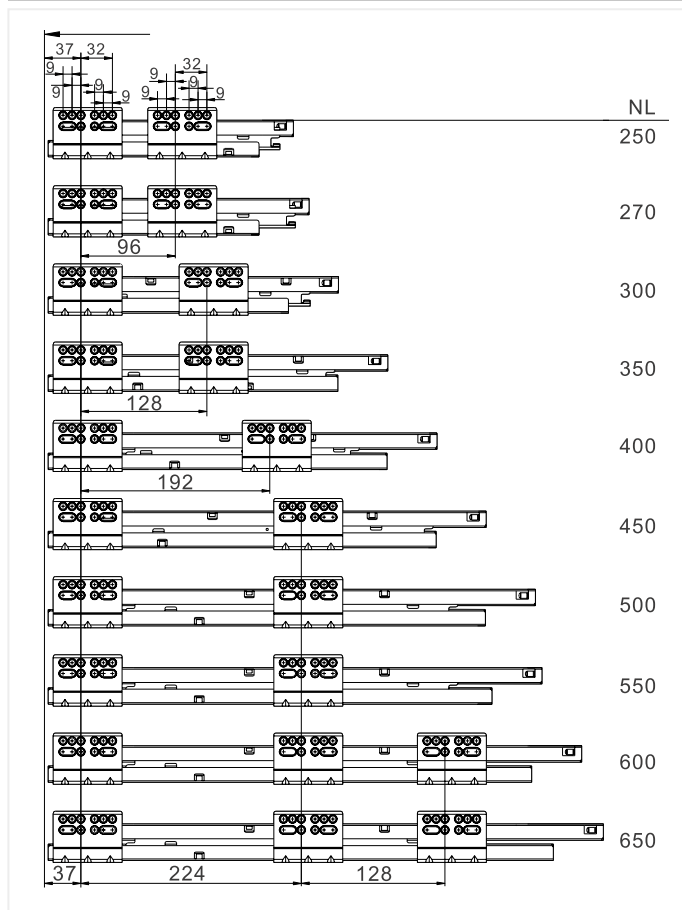
- large, medium and small templates in set
- universal - adapted to the Comfort Box Plus (H=69, 84, 135, 199 mm), Ultra Box (H=86, 118, 167, 199) and Comfort Slide 3D II 30 kg runner
- large template is designed for installation Comfort Box Plus, Ultra Box and Comfort Slide 3D II 30 kg
- medium template is for front H=284 mm and H=355 mm of Comfort Box Plus and Ultra Box installation
- small template is for front H=140 mm Comfort Box Plus and Ultra Box installation

index	colour
WH02.3240.01	788

CODE COATING: 788 SILVER



Runner installation



HEADQUATER:

REJS LLC, 87-500 Rypin, Mlawska Str. 61, Poland
Export Department: +48 54 234 09 73, www.rejs.eu



RejsRypin



rejs_wyposazenie_mebli



Rejs Group



e-rejs.eu



www.rejs.eu



REJSakcesoria