

CORNER SPACE | CORNER SPACE PLUS

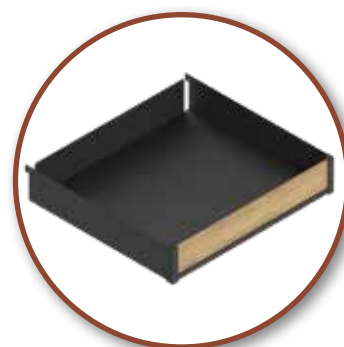
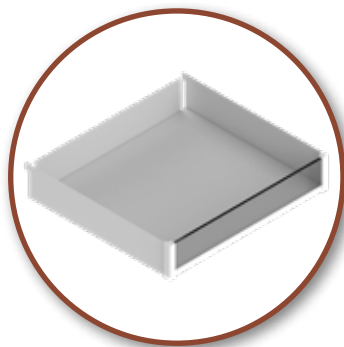
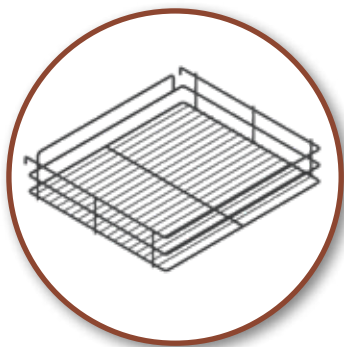
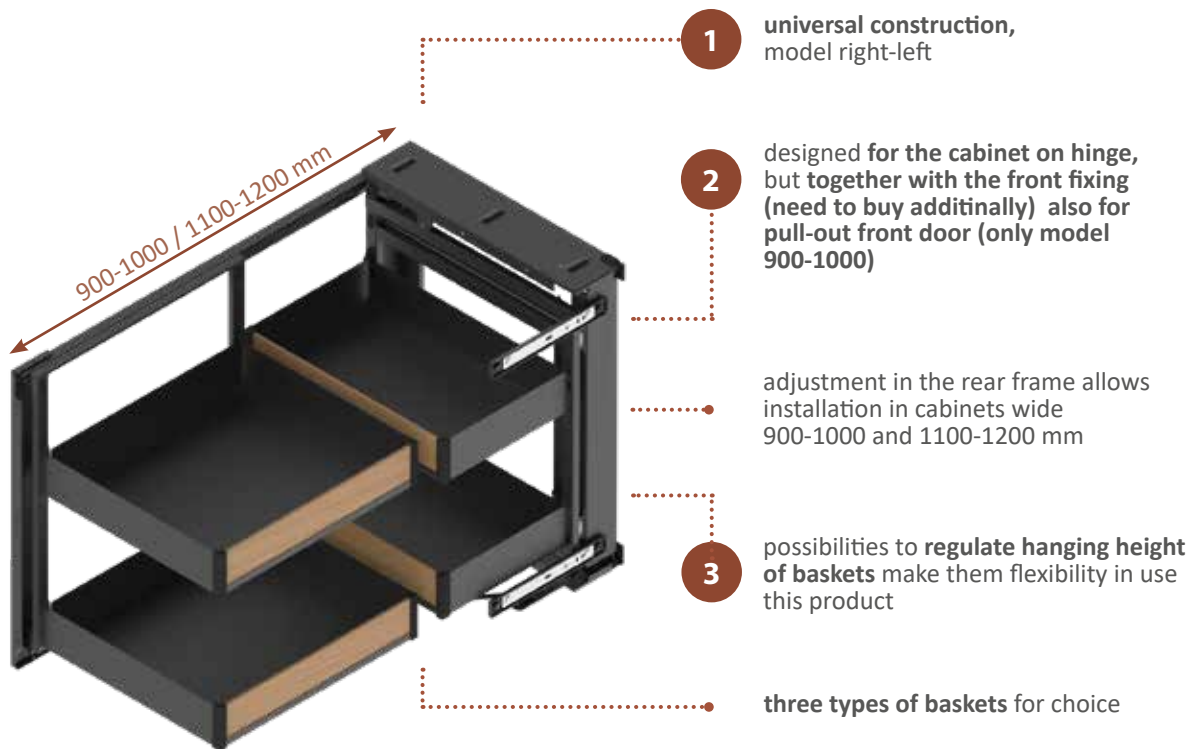


Corner cabinet solution

NOVELTY!

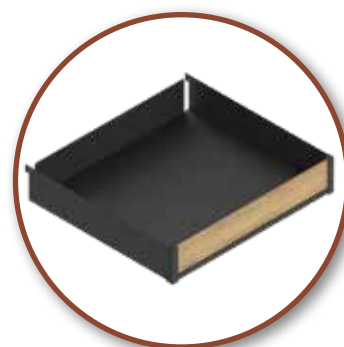
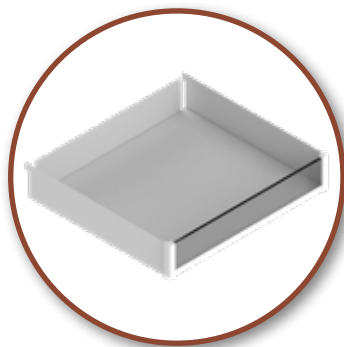
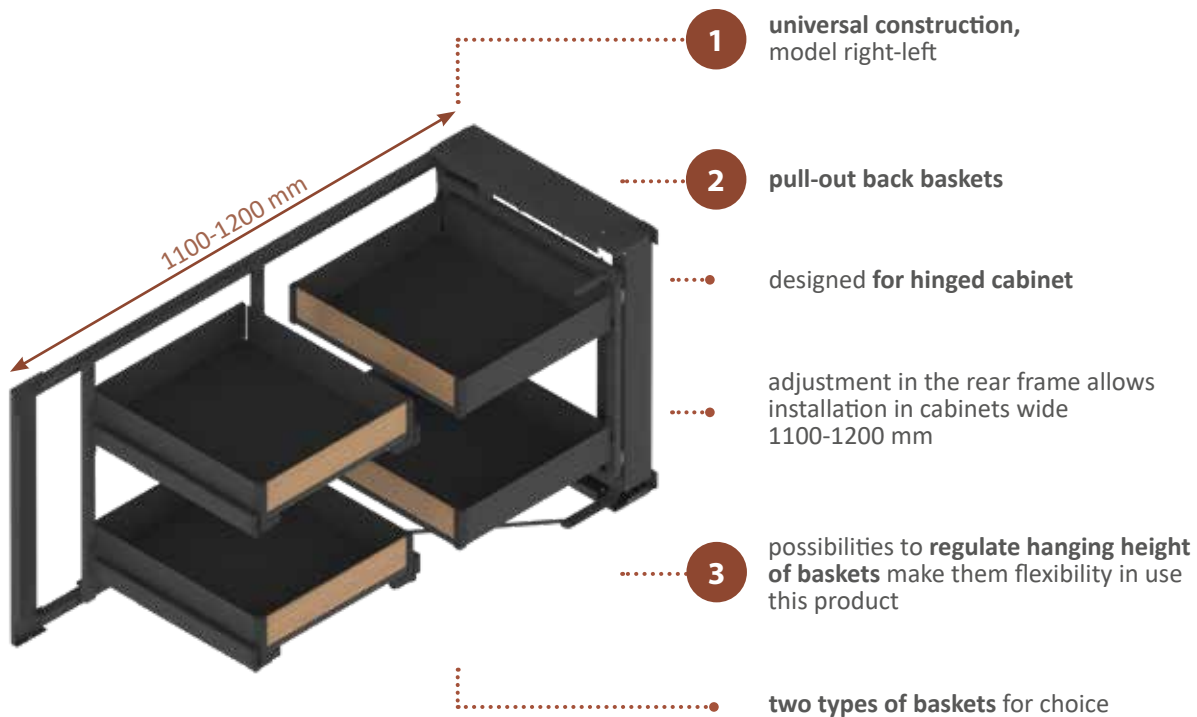


CORNER SPACE





CORNER SPACE PLUS





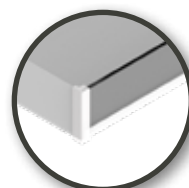
PURO



anti-slip mat



-● each shelf **equipped with an anti-slip mat**
-● **baskets are made of metal sheet**
-● **two colours solutions**



white / glass



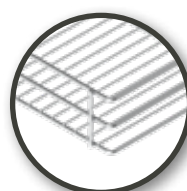
black / oak

CLASSIC

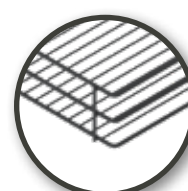


.....● openwork baskets are made of wire

.....● two colours solution



chrome



graphite

Information about how to order Corner Space Linia Maxima

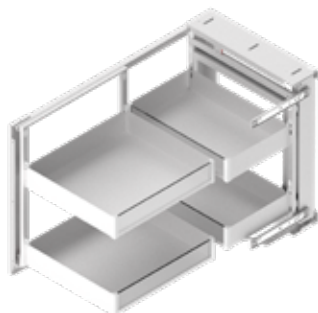
Base components

Frame + baskets + extension system

Maxima PURO



Maxima PURO



Maxima Classic



width	front on hinge	index	colour
900 - 1000	450 - 600	WE35.0065.12	C74
1100 - 1200	600	WE35.0066.12	C74

width	front on hinge	index	colour
900 - 1000	450 - 600	WE35.0065.06	C75
1100 - 1200	600	WE35.0066.06	C75

width	front on hinge	index	colour
900 - 1000	450 - 600	WE31.0084.01	001, 924
1100 - 1200	600	WE31.0085.01	001, 924

Front fixing

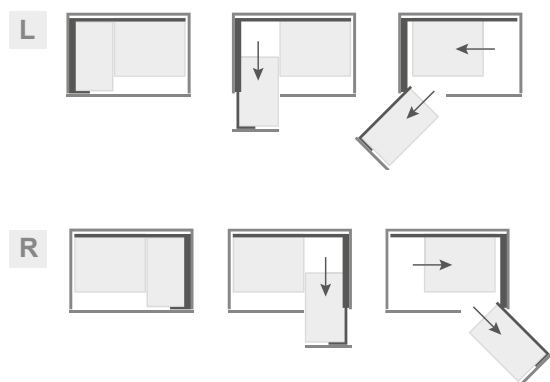
index	colour
WE24.0021.01	003, 055, 549, 924

For using with cabinet front of 400-500 mm

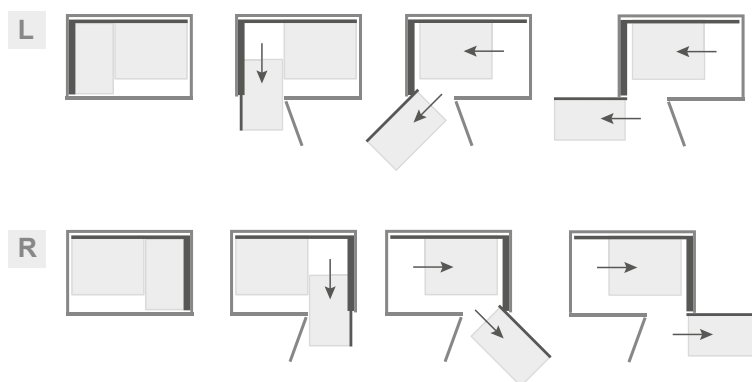


Additional information

Corner pull out scheme with the front fixing:



Corner pull out scheme to the door on hinge:



Installation information p. 10-11

Symbols:

L **R** side the Corner to be fixed to the cabinet corpus

FINISHING CODE: C74 BLACK MATT/OAK C75 WHITE MATT/ TRANSPARENT 001 CHROME 003 WHITE 055 BLACK 549 SILVER GREY 924 GRAPHITE

Information about how to order
Corner Space Plus Linia Maxima

Komponenty podstawowe

Frame + baskets + extension system

Maxima PURO



Maxima PURO

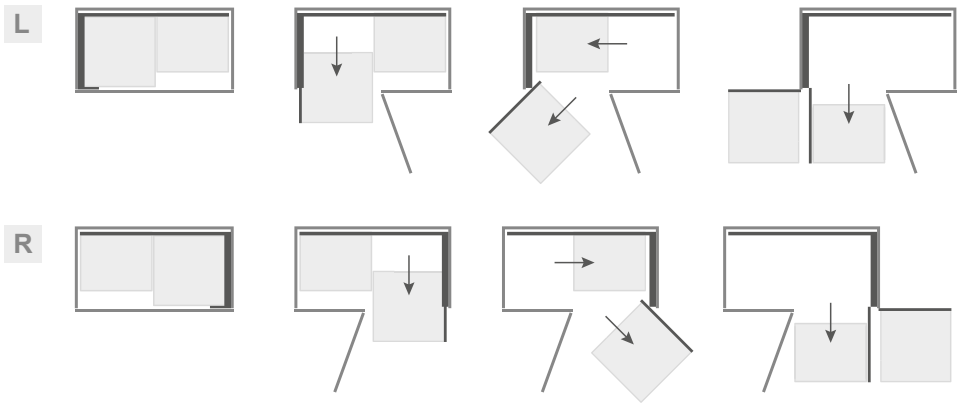


width	front	index	colour
1100 - 1200	600	WE35.0067.12	C74

width	front	index	colour
1100 - 1200	600	WE35.0067.06	C75

Additional information

Corner pull out scheme:



Installation information p. 11

Symbols:

L **R** side the Corner to be fixed to the cabinet corpus

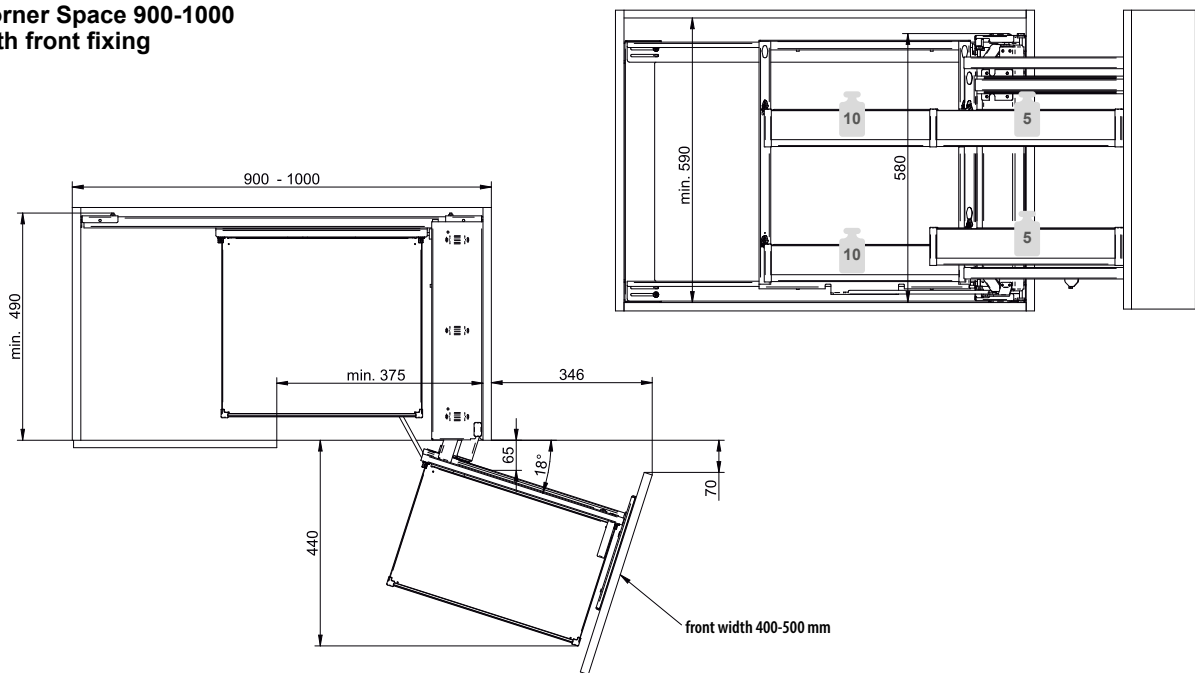
FINISHING CODE: C74 BLACK MATT/OAK C75 WHITE MATT/ TRANSPARENT

Technical information

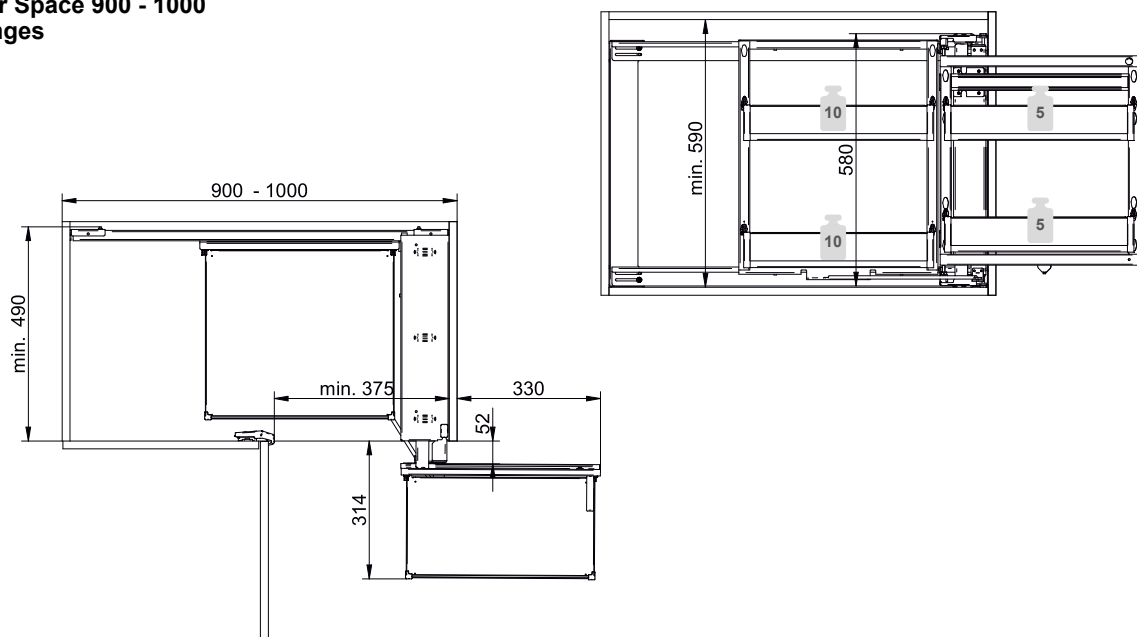
Corner Space Linia Maxima

Technical data and way of installation

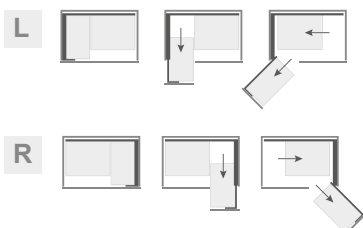
Corner Space 900-1000 with front fixing



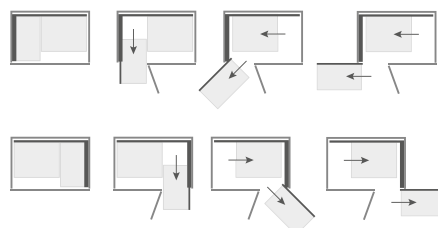
Corner Space 900 - 1000 for hinges



Corner pull out scheme with front fixing:



Corner pull out scheme for the door on hinges:



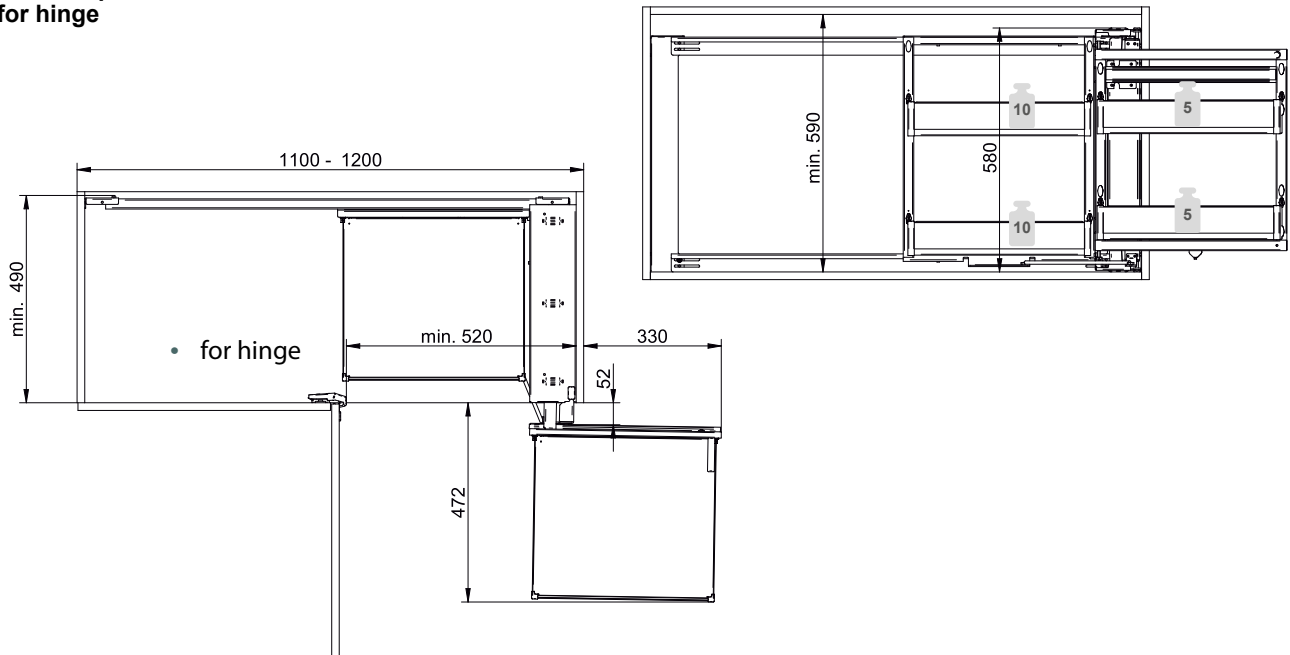
kg max. load capacity per shelf in kg

L R side the Corner to be fixed to the cabinet corpus

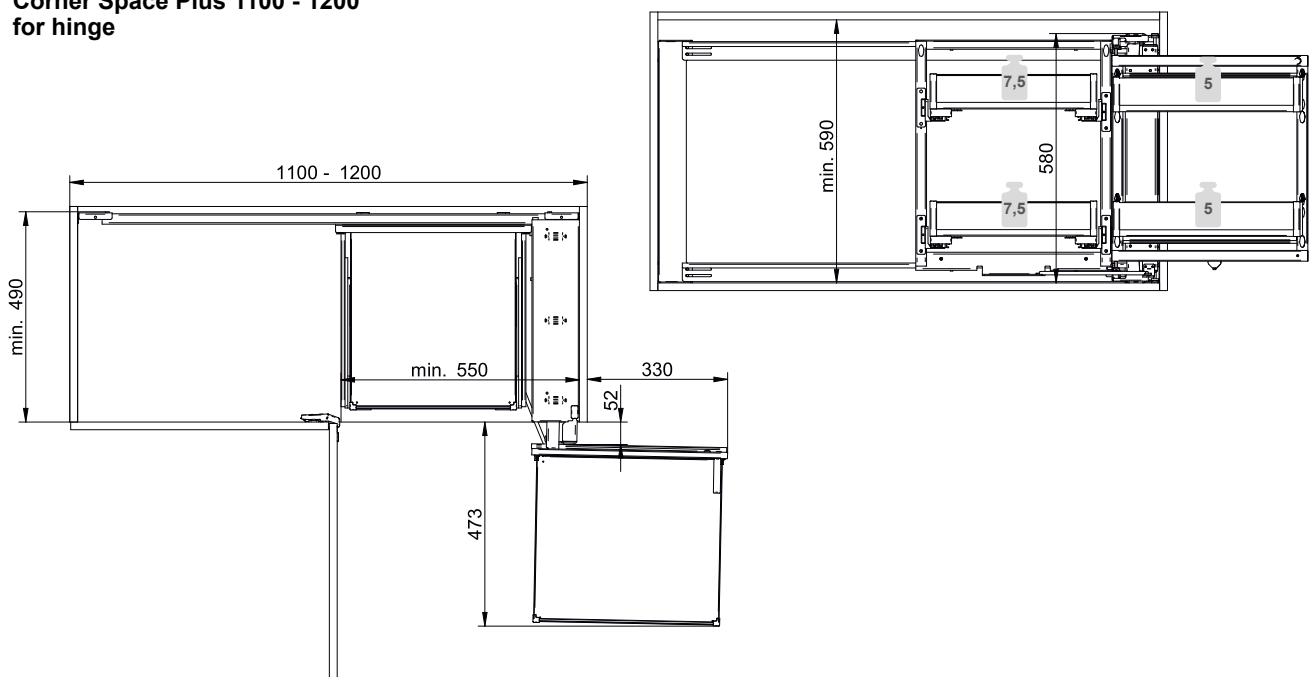
Corner Space / Corner Space Plus Linia Maxima

Technical data and way of installation

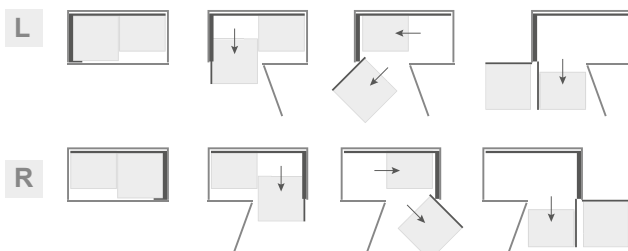
Corner Space 1100 - 1200 for hinge



Corner Space Plus 1100 - 1200 for hinge



Corner pull out scheme:



 max. load capacity per shelf in kg

L **R** side the Corner to be fixed to the cabinet corpus

HEADQUATER:

REJS LLC, 87-500 Rypin, Mlawska Str. 61, Poland
Export Department: +48 54 234 09 73, www.rejs.eu



RejsRypin



rejs_wyposazenie_mebli



Rejs Group



e-rejs.eu



www rejs.eu



REJSakcesoria